

ASSEMBLY PAGE NAME			Machine Assembly	Wire Drive Assembly LF 45	
CODE NO.:	K NO.:	FIGURE NO.:	A	B	
50163	K14072-1	LINC FEED 45	1	1	

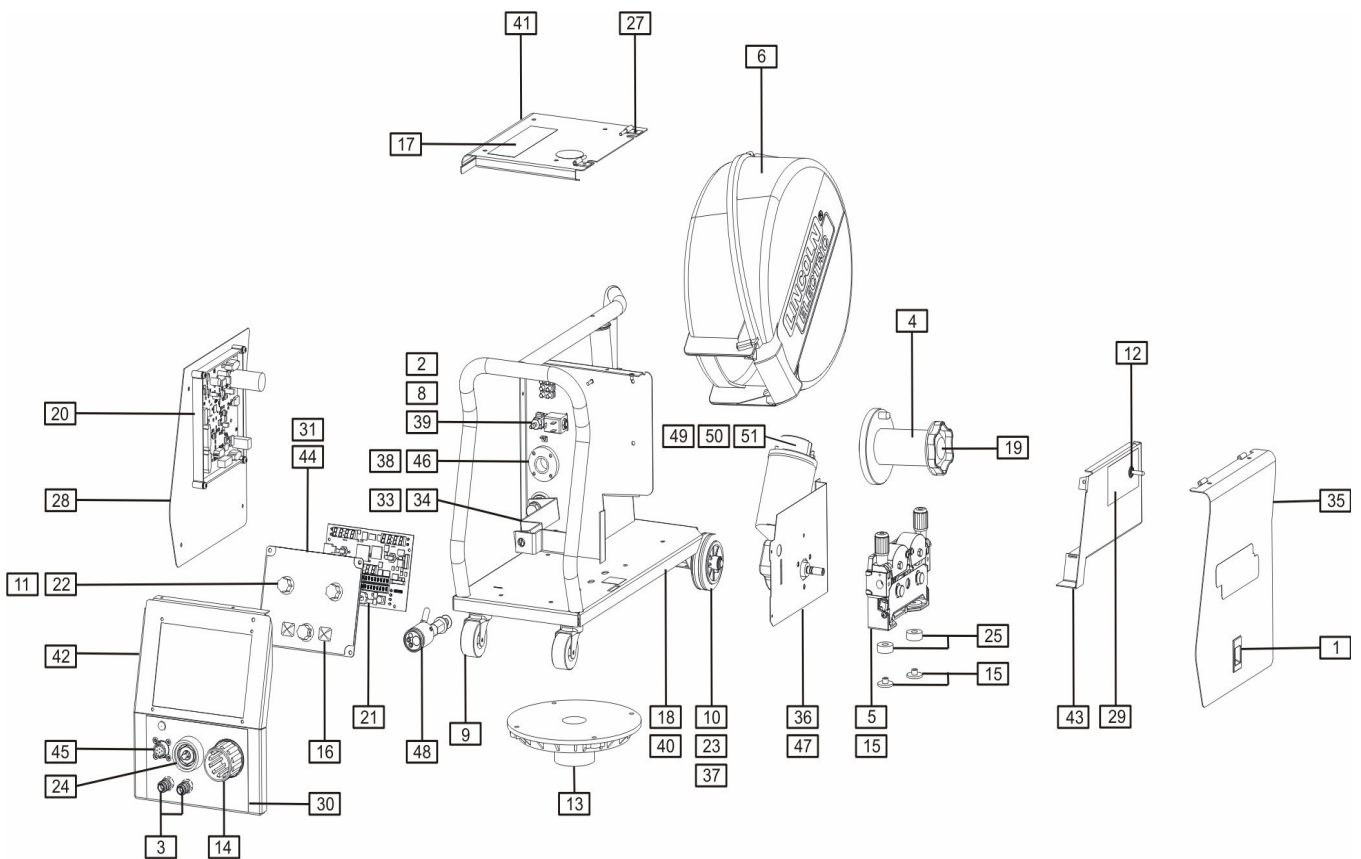


Figure A

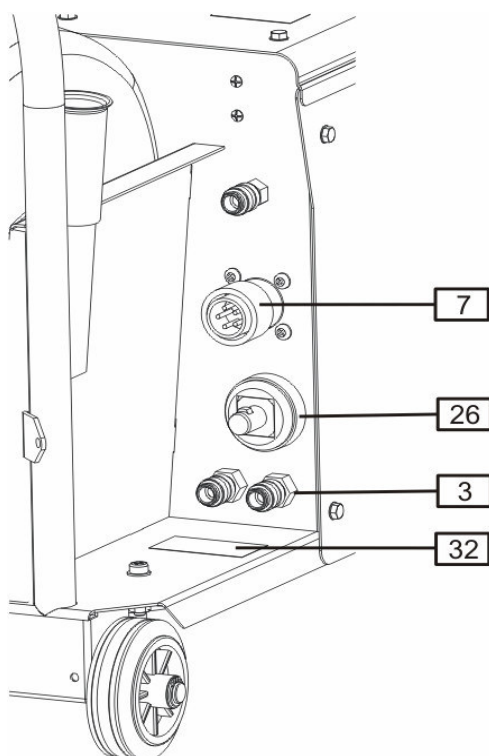


Figure B

**Figure A, B: Machine Assembly**

Item	Description	Part Number	QTY	1	2	3
1	LOCK	0654-610-004R	1	X		
2	QUICK CONNECTOR MALE	0744-000-151R	1	X		
3	QUICK CONNECTOR FEMALE	0744-000-152R	4	X		
4	WIRE REEL SPINDLE	0744-000-192R	1	X		
5	WIRE DRIVE	0744-000-241R	1	X		
6	PLASTIC SHROUD ASSEMBLY	0749-901-003R	1	X		
7	SOCKET MALE	1158-641-110R	1	X		
8	GAS SOLENOID	0972-423-038R	1	X		
9	FRONT WHEEL	1029-660-003R	2	X		
10	REAR WHEEL	1029-660-081R	2	X		
11	PROTECTION WASHER	0744-200-108R	1	X		
12	SWITCH	1158-650-022R	1	X		
13	PIVOT TOP PART	1361-598-180R	1	X		
14	EURO SLEEVE	1361-599-708R	1	X		
15	SLEEVE	1361-599-720R	4	X		
16	RUBBER BUTTON	1373-182-005R	2	X		
17	WARNING DECAL	2719-107-728R	1	X		
18	BASE	2719-107-732R	1	X		
19	PLASTIC CAP	B11035-1	1	X		
20	CONTROL PC BOARD	R-6042-053-1R	1	X		
21	UI PC BOARD	R-6042-054-1R	1	X		
22	KNOB	9ET13639-3R	3	X		
23	WASHER	C-1661-004-5R	2	X		
24	DINSE SOCKET	C-2986-001-3R	1	X		
25	SLEEVE	D-1869-033-3R	1	X		
26	SOCKET	D-2985-002-1R	1	X		
27	HINGE	D-3574-007-1R	2	X		

28	LEFT PANEL	R-1019-227-1R	1	X		
29	STICKER	R-0010-282-1R	1	X		
30	NAME PLATE	R-0010-284-1R	1	X		
31	UI LABEL	R-0010-285-1R	1	X		
32	STICKER	R-0010-290-1R	1	X		
33	CONDUCTOR RAIL	R-1010-039-1R	1	X		
34	CONDUCTOR RAIL	R-1010-040-1R	1	X		
35	RIGHT PANEL	R-1019-224-1R	1	X		
36	DIVIDER	R-1019-207-1/08R	1	X		
37	AXLE	R-2013-021-1R	1	X		
38	ALU RING	R-2013-032-1R	1	X		
39	COUPLER	R-2013-060-1R	1	X		
40	FRAME	R-3019-156-1/08R	1	X		
41	COVER	R-3019-162-1/02R	1	X		
42	FRONT PANEL	R-3019-168-1/08R	1	X		
43	DIVIDER	R-3019-169-1/08R	1	X		
44	PLATE	R-3019-170-1/08R	1	X		
45	REMOTE SOCKET	1158-641-149R	1	X		
46	HARNESS	R-5041-171-1R	1	X		
47	MOTOR	R-8040-024-3R	1	X		
48	EURO SOCKET	R-8040-140-3R	1	X		
49	MAGNETIC RING	0943-719-005R	1	X		
50	TACHO CAP	0744-200-008R	1	X		
51	HALL SENSOR	0943-719-008R	1	X		

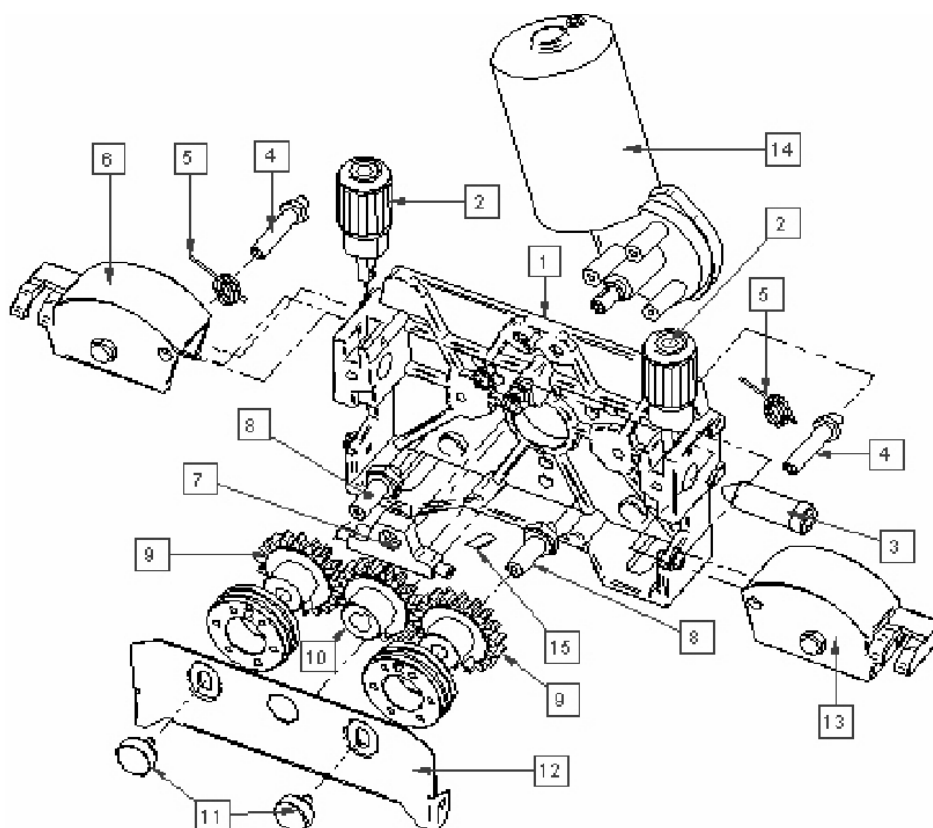


Figure C

Item	Description	Part Number	OLD Part Number	QTY	1	2
1	FEED PLATE	0646-233-002R	S51997-1	1	X	
2	FIXING ARM COMPL.	0646-233-015R		2	X	
3	INLET GUIDE	0646-233-025R	T51125	1	X	
4	AXIS PRESSURE ARM	0646-233-003R	S51997-2	2	X	
5	SPRING PRESSURE ARM	0646-233-013R	S51997-12	2	X	
6	PRESSURE ARM COMPL.L	0646-233-007R	S51997-5	1	X	
7	INTERMEDIATE GUIDE	0646-233-023R	T51126	1	X	
8	AXIS DRIVE ROLL	0646-233-020R	S51997-19	2	X	
9	GEAR WHEEL ROLL	0646-231-090R	S51889-2	2	X	
10	GEAR WHEEL MOTOR	0646-233-028R	S51888	1	X	
11	FIXING CAP	0646-233-022R	S51997-20	2	X	
12	METAL COVER	0646-233-027R	S51997-23	1	X	
13	PRESSURE ARM COMPL.R	0646-233-005R	S51997-4	1	X	
14	WIRE FEED MOTOR	R-8040-024-3R		1	X	
15	WOODRUFF KEY	0646-231-102R		1	X	