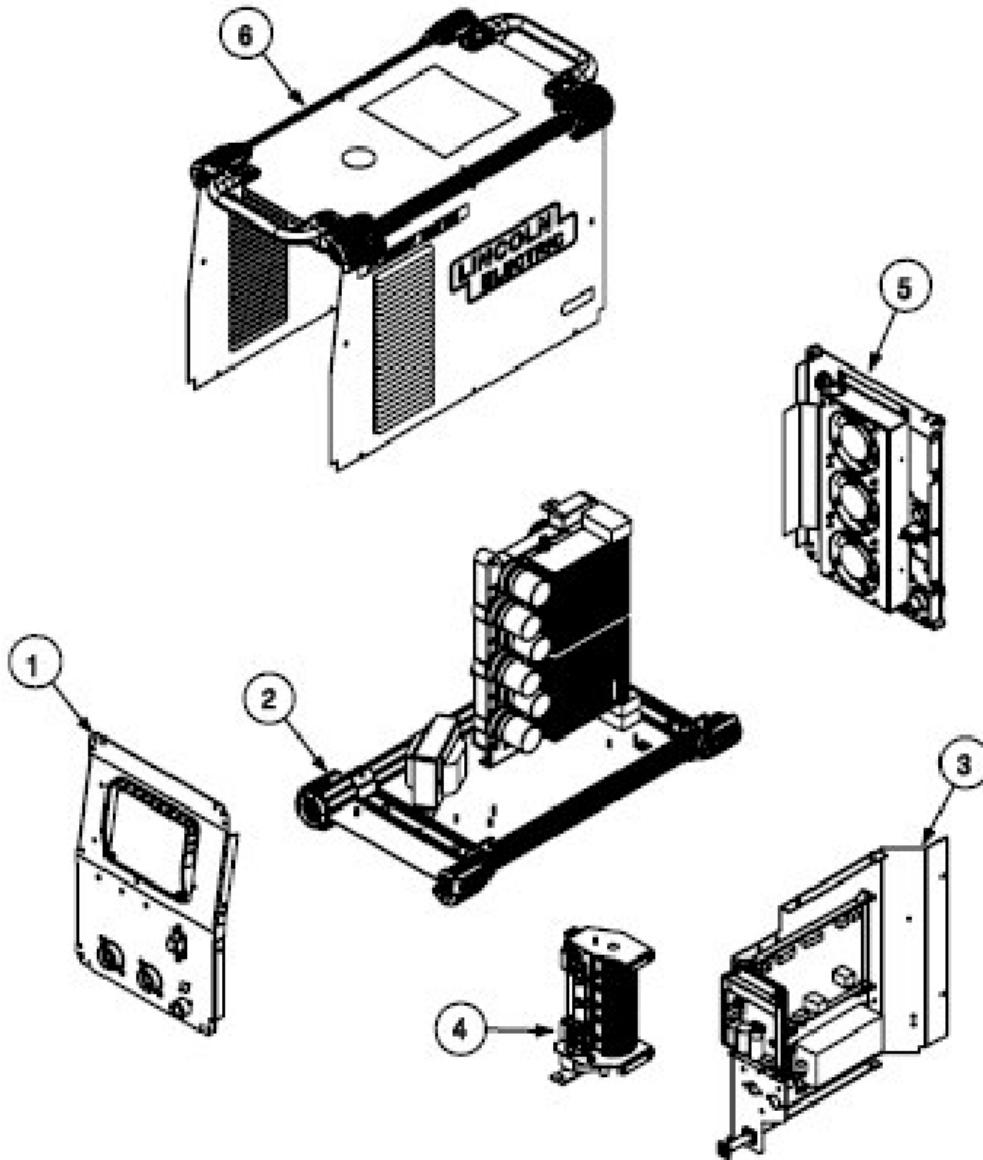


ASSEMBLY PAGE NAME			Case Front Assembly (1)	Base & Power Conversion Assembly (2)	Divider Panel Assembly (3)	Output Choke Assembly (4)	Case Back Assembly (5)	Roof Assembly (6)
CODE NO.:	K NO.:	FIGURE NO.:	A	B	C	D	E	F
11625	K2823-2	POWER WAVE S350 CE	1	1	1	1	1	1



Item	Description	Part Number	Q-ty	1	2	3
M15479	Twist Mate Cable Plug		2	X		
G6094	Wiring Harness (Primary)		1	X		
S24992-7	Input Power Cord		1	X		
S28365	Cooler Jumper Harness		1	X		
M19969-2	Ethernet Patch Cable		1	X		

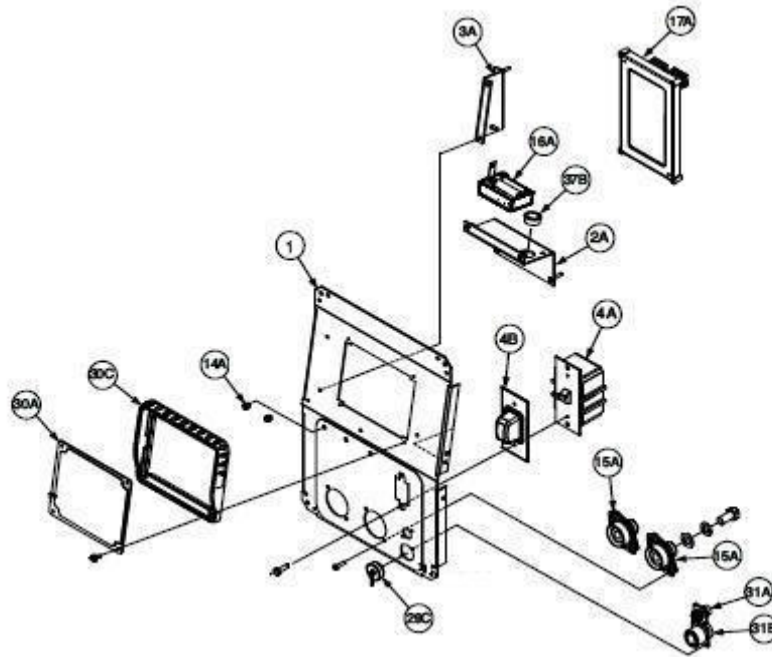


Fig.A : Case Front Assembly (1)

Item	Description	Part Number	Q-ty	1	2	3
	Case Front Assembly (G6519-1)					
1	Case Front	G6513-1	1	X		
2A	P.C. Board Mounting Bracket	L13263-1	1	X		
3A	P.C. Board Mounting Bracket	L13263-2				
4A	Line Switch	S20030	1	X		
4B	Switch Cover	S25384-1	1	X		
14A	LED Lens - Clear,	S23093-1	2	X		
15A	Output Stud	M13896-3	2	X		
16A	Snubber Assembly	M20305-1	1	X		
17A	Control P.C. Board Assembly	G5915-[ ]	1	X		
30A	Cover Plate	L15069	1	X		
30C	UI Trim	G6529	1	X		
31	Secondary Harness	G6792	1	X		
31A	Sq. Flange Female Receptacle	S18657	1	X		
31B	5 Pin Connector	S12021-73	1	X		

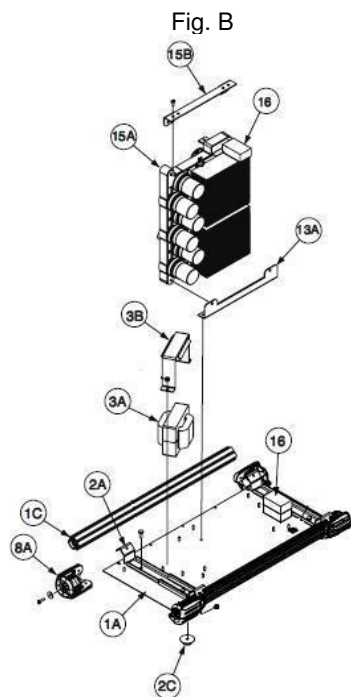


Fig.C

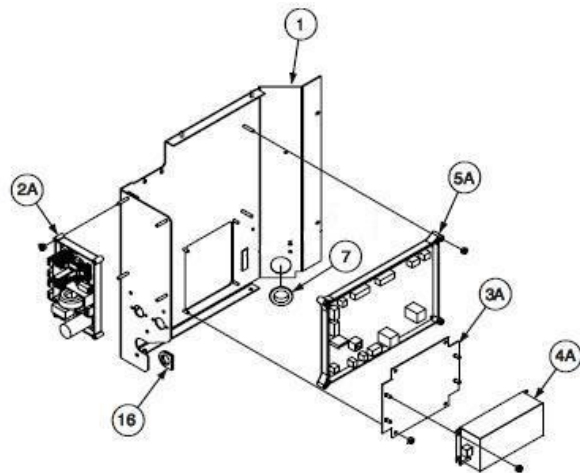


Fig.B : Base & Power Conversion Assembly (2)

Item	Description	Part Number	Q-ty	1	2	3
1	Base Assembly, (G6520-1)	NSS	1	X		
1A	Base	L15067-1	1	X		
1C	Base Extrusion	M21251-2	2	X		
2A	Attachment Kit Bracket	L15091	2	X		
2C	Mounting Foot	S28070	4	X		
3A	Input Choke	M22462	1	X		
3B	Choke Mounting Bracket	M22464	1	X		
8A	Corner Cap	L13138	2	X		
13A	Power Board Bracket	M21469-3	1	X		
15A	Power Conversion Assembly	G6037-2	1	X		
15B	Upper Power Board Bracket	M21469-2	1	X		
16	Foam	M15045-100	3	X		

Fig. C : Divider Panel Assembly (3)

Item	Description	Part Number	Q-ty	1	2	3
	Divider Panel Asbly (G6589-1)	NSS	1	X		
1	Vertical Divider Panel	G6511	1	X		
2A	Vertical Divider Panel	XL15732-[ ]	1	X		
3A	Cover Plate	M22245	1	X		
4A	CE Filter	M18185-12	1	X		
5A	Control PC Board	S28289-[ ]	1	X		
7	Bushing	T12380-8	1	X		
8	Suppressor Assembly (Not Shown)	S18858-11	1	X		
16	Cable Grommet	S18543-4	1	X		

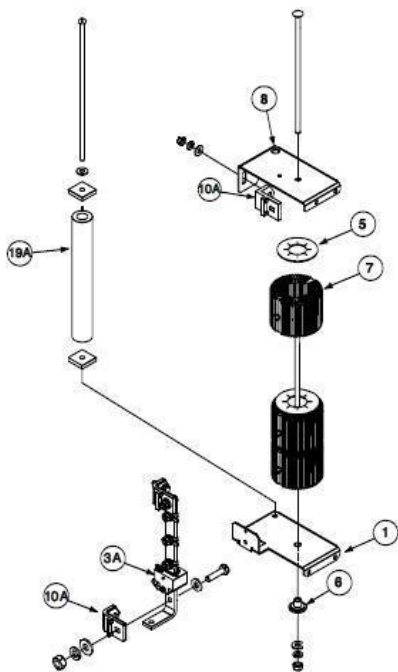


Fig. D

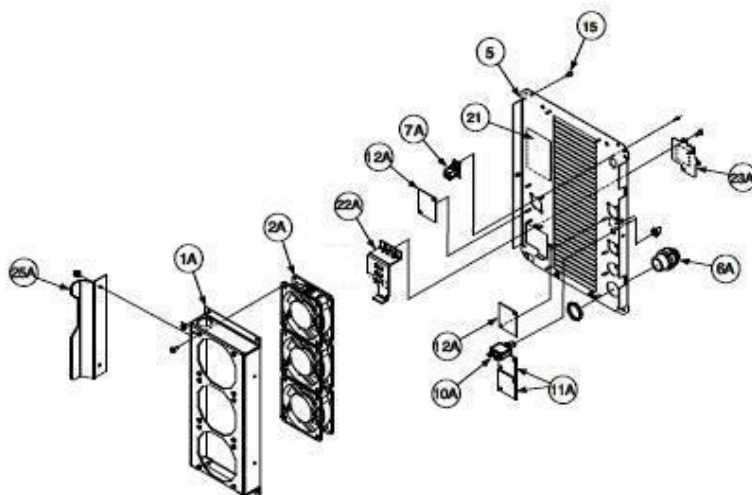


Fig. E

Fig.D : Output Choke Assembly (4)

Item	Description	Part Number	Q-ty	1	2	3
	Output Choke Assembly	L13270-3	1	X		
1	Bottom Choke Bracket	M21472-3	1	X		
2	Bottom Choke Bracket	XS28371	2	X		
3A	Current Transducer	S18504-10	1	X		
5	Spacer Washer	S25781-2	6	X		
6	Spacer	T14605	1	X		
7	Output Choke	S26801-2	3	X		
8	Top Choke	M21471-3	1	X		
10A	Heatsink Holder	S22168	2	X		
11A	Bus Bar	M22372	1	X		
19A	Resistor	S10404-137	3	X		

Fig.E : Case Back Assembly (4)

Item	Description	Part Number	Q-ty	1	2	3
	Case Back Assembly (G6523-1)	NSS				
1A	Fan Bracket	L15066-1	1	X		
2A	Fan Assembly	M22149	3	X		
5	Rear Panel	G6510-1	1	X		
6A	Cord Grip Connector	S19999	1	X		
7A	Ethernet Connector	M19969-14	1	X		
8	Fan Harness (Not Shown)	L15109	1	X		
10A	Circuit Breaker	T12287-20	1	X		
11A	Cover Plate	S25438-3	2	X		
12A	Cover Plate	S25438-6	2	X		
22A	Cooler Connection Bracket	M22374	1	X		
23A	Cooler Connection Cover Plate	M22373	1	X		
23B	Jumper Plug (Not Shown)	S28365	1	X		
25A	Air Baffle	L15123	1	X		

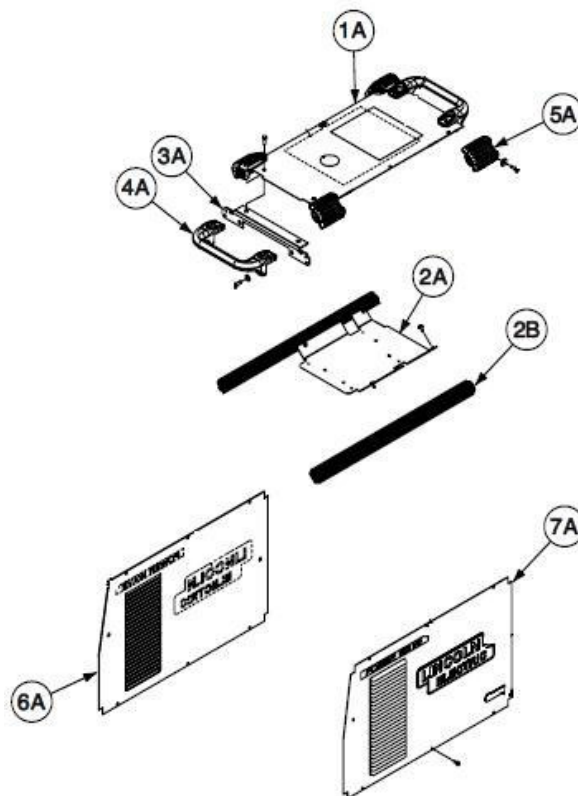


Fig.F : Roof Assembly (6)

Item	Description	Part Number	Q-ty	1	2	3
1	Roof Assembly	M22129-3	1	X		
1A	Roof	L12763-1	1	X		
1E	Thread Forming Screw (Not Shown)	S9225-99	10	X		
2	Horizontal Divider Panel	M22375	1	X		
2A	Horizontal Divider Panel	L15068-2	1	X		
2B	Top Extrusion	M21251-1	2	X		
3A	Bracket	L15070	2	X		
4A	Handle	G6525-1	2	X		
5A	Corner Cap	L13138	4	X		
6	Left Case Side Assembly	M22191-1	1	X		
6A	Left Case Side	L13232-3	1	X		
7	Right Case Side Assembly	M22192-1	1	X		
7A	Right Case Side	L13232-2	1	X		