

CODE 50042, 50025, 50027, 50029, 50026, 50028, 50030

ASSEMBLY PAGE NAME			Machine Assembly	Machine Assembly	Machine Assembly (Rear side)
CODE NO.:	K NO.:	FIGURE NO.:	A	B	C
50042	K14020-1	POWERTEC 300S	1	-	1
50025	K14021-1A	POWERTEC 360S	-	1	2
50027	K14022-1A	POWERTEC 420S	-	2	3
50029	K14023-1A	POWERTEC 500S	-	3	3
50026	K14021-1W	POWERTEC 360S (WATER)	-	1	4
50028	K14022-1W	POWERTEC 420S (WATER)	-	2	5
50030	K14023-1W	POWERTEC 500S (WATER)	-	3	5

Figure A: Machine Assembly (PowerTec 300S)

Item	Description	Part Number	QTY	1	2
1	MAIN TRANSFORMER T1	C-4247-092-2R	1	X	
2	RECTIFIER SET 1	1156-112-172R	1	X	
3	FAN M1	1111-311-081R	1	X	
4	AUXILIARY TRANSFORMER T2	C-4244-374-2R	1	X	
5	CONTACTOR K1	1115-212-177R	1	X	
6	CAPACITORS C1,C2,C3	1158-121-010R	3	X	
7	CAPACITOR C4	1158-121-045R	1	X	
8	VOLTAGE SWITCH S1	1115-260-167R	1	X	
9	VOLTAGE SWITCH S2	1115-260-166R	1	X	
10	MAIN SWITCH S3	1115-270-019R	1	X	
11	SOCKET X1, X2	C-2986-001-2R	2	X	
12	SOCKET X3	1158-641-130R	1	X	
13	TURNING WHEEL	1029-660-101R	2	X	
14	WHEEL	1029-660-201R	2	X	
15	LEFT HOLDER	1362-212-002R	1	X	
16	RIGHT HOLDER	1362-212-003R	1	X	
17	EDGE SHIELD	1362-212-000R	1	X	
18	HANDLE	0562-230-001R	1	X	
19	RIGHT SIDE HANDLE ASSEMBLY	1362-212-007R	1+1	X	
	CAP	1362-212-004R			
20	LEFT SIDE HANDLE ASSEMBLY	1362-212-006R	1+1	X	
	CAP	1362-212-004R			
21	FRONT DECAL	2719-107-942R	1	X	
22	CARRIAGE SUPPORT	1361-598-181R	1	X	
23	GROUND CABLE WITH WORK CLAMP -3m	K14012-1	1	X	
24	RIGHT SIDE PANEL WITH LABEL	R-8040-073-1R	1	X	
25	LEFT SIDE PANEL WITH LABEL	R-8040-072-1R	1	X	
26	FRONT PANEL	R-3019-032-1/08R	1	X	
27	TOP PANEL WITH LABELS	R-8040-071-1R	1	X	

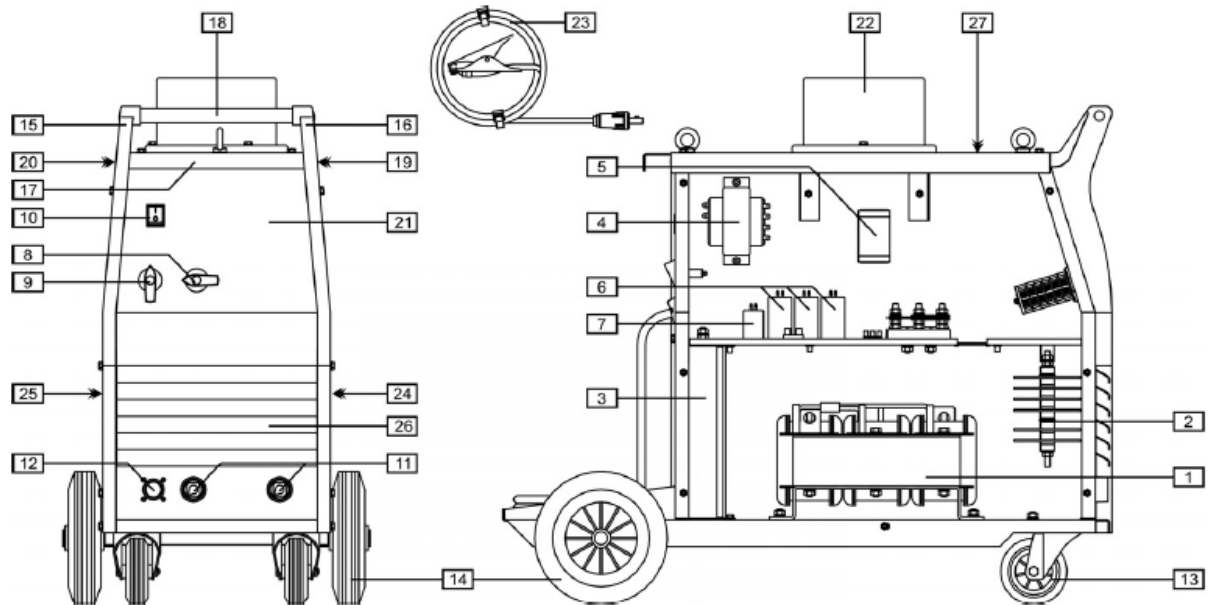


Figure A

Figure B: Machine Assembly (PowerTec 360S, 420S, 500S)

Item	Description	Part Number	QTY	1	2	3	4
1	MAIN TRANSFORMER T1	B-4247-484-2R	1	X	-	-	
2	MAIN TRANSFORMER T1	R-4034-009-2R	1	-	X	-	
3	MAIN TRANSFORMER T1	R-4034-004-2R	1	-	-	X	
4	CHOKE L1	C-4244-383-4R	1	X	X	-	
5	CHOKE L1	R-4034-004-2R	1	-	-	X	
6	RECTIFIER SET 1	1156-112-070R	1	X	-	-	
7	RECTIFIER SET 1	1156-112-071R	1	-	X	-	
8	RECTIFIER SET 1	1156-112-072R	1	-	-	X	
9	FAN M1	0874-111-003R	1	X	X	X	
10	MAIN SWITCH S3	1115-270-019R	1	X	X	X	
11	SOCKET X1, X2	C-2986-001-3R	1	X	X	X	
12	SOCKET X3	1158-641-130R	1	X	X	X	
13	VOLTMETER POLARITY SWITCH S4	1158-650-023R	1	X	X	X	
14	AUXILIARY TRANSFORMER T2	C-4244-384-1R	1	X	X	X	
15	LEFT HOLDER	1362-212-002R	1	X	X	X	
16	RIGHT HOLDER	1362-212-003R	1	X	X	X	
17	VOLTAGE SWITCH S1	1115-260-074R	1	X	X	-	
18	VOLTAGE SWITCH S1	1115-260-224R	1	-	-	X	
19	RIGHT SIDE HANDLE ASSEMBLY + CAP	1362-212-007R	1+1	X	X	X	
		1362-212-004R					
20	LEFT SIDE HANDLE ASSEMBLY + CAP	1362-212-006R	1+1	X	X	X	
		1362-212-004R					
21	RELAY K3	0918-412-021	1	X	X	X	
22	CARRIAGE SUPPORT	1361-598-181R	1	X	X	X	
23	VOLTAGE SWITCH S2	1115-260-073R	1	X	X	-	
24	VOLTAGE SWITCH S2	1115-260-223R	1	-	-	X	
25	CONTACTOR K1	1115-212-178R	1	X	-	-	
26	CONTACTOR K1	1115-212-179R	1	-	X	-	
27	CONTACTOR K1	1115-212-180R	1	-	-	X	

28	CAPACITORS C1,C2,C3	1158-125-373R	3	X	X	X	
29	CAPACITOR C4	1158-121-001R	1	X	X	X	
30	TURNING WHEEL	1029-660-127R	2	X	X	X	
31	WHEEL	1029-660-250R	2	X	X	X	
32	FRONT DECAL	2719-107-094R	1	X	X	X	
33	HANDLE	0562-230-005R	1	X	X	X	
34	EDGE SHIELD	1362-212-010R	1	X	X	X	
35	GROUND CABLE WITH WORK CLAMP - 3m	K14018-1	1	X	-	-	
36	GROUND CABLE WITH WORK CLAMP - 3m	K14019-1	1	-	X	X	
37	RIGHT SIDE PANEL WITH LABEL	R-8040-058-6R	1	X	-	-	
38	RIGHT SIDE PANEL WITH LABEL	R-8040-058-4R	1	-	X	-	
39	RIGHT SIDE PANEL WITH LABEL	R-8040-058-2R	1	-	-	X	
40	LEFT SIDE PANEL WITH LABEL	R-8040-058-5R	1	X	-	-	
41	LEFT SIDE PANEL WITH LABEL	R-8040-058-3R	1	-	X	-	
42	LEFT SIDE PANEL WITH LABEL	R-8040-058-1R	1	-	-	X	
43	FRONT PANEL	R-8040-022-1/08R	1	X	X	X	
44	TOP PANEL WITH LABELS	R-8040-057-1R	1	X	X	X	

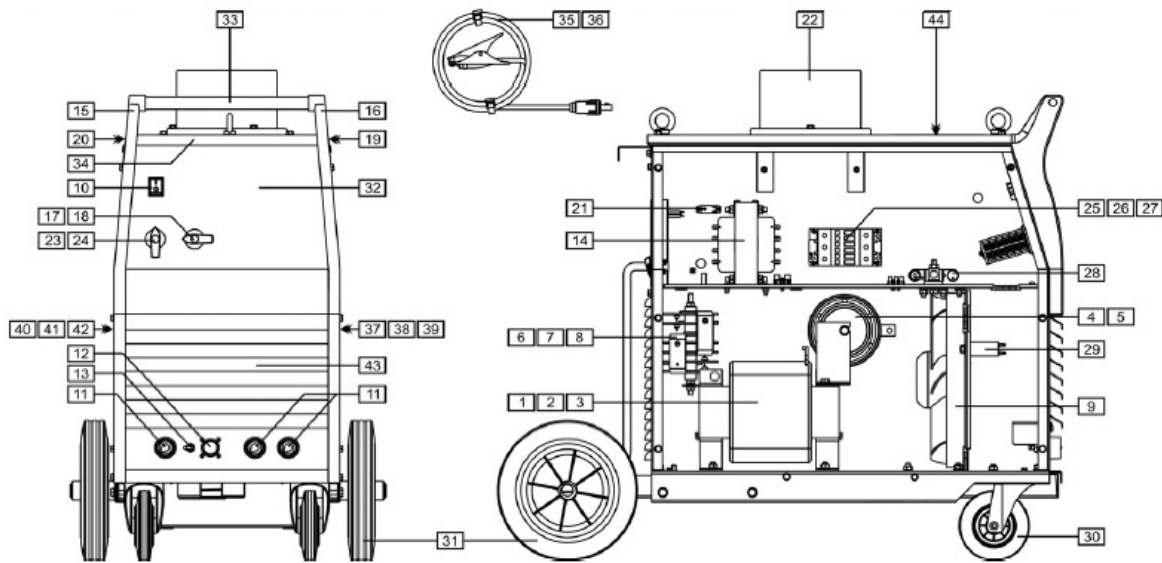


Figure B

Figure C: Machine Assembly (Rear side)

Item	Description	Part Number	QTY	1	2	3	4	5	6
1	MAINS CORD WITHOUT PLUG -5m (4x4mm2)	D-5578-171-2R	1	X	X	-	X	-	
2	FUSE F1 (1A, 400V)	1158-660-003R	1	X	-	-	-	-	
3	MAINS CORD WITHOUT PLUG -5m (4x6mm2)	D-5578-171-3R	1	-	-	X	-	X	
4	FUSE F1 (3A, 400V)	1158-660-006R	1	-	X	X	X	X	
5	CIRCUIT BREAKER Q1 (ONLY WATER)	1115-299-027R	1	-	-	-	X	X	
6	SOCKET X9 (ONLY WATER)	1131-222-004R	1	-	-	-	X	X	
7	WATER COOLER (ONLY WATER)	K10329	1	-	-	-	X	X	
8	COOLER BRACKET (ONLY WATER)	D-2632-641-1/33R	1	-	-	-	X	X	
9	REAR PANEL	R-8040-070-1R	1	X	-	-	-	-	
10	REAR PANEL	R-8040-031-1/08R	1	-	X	X	X	X	

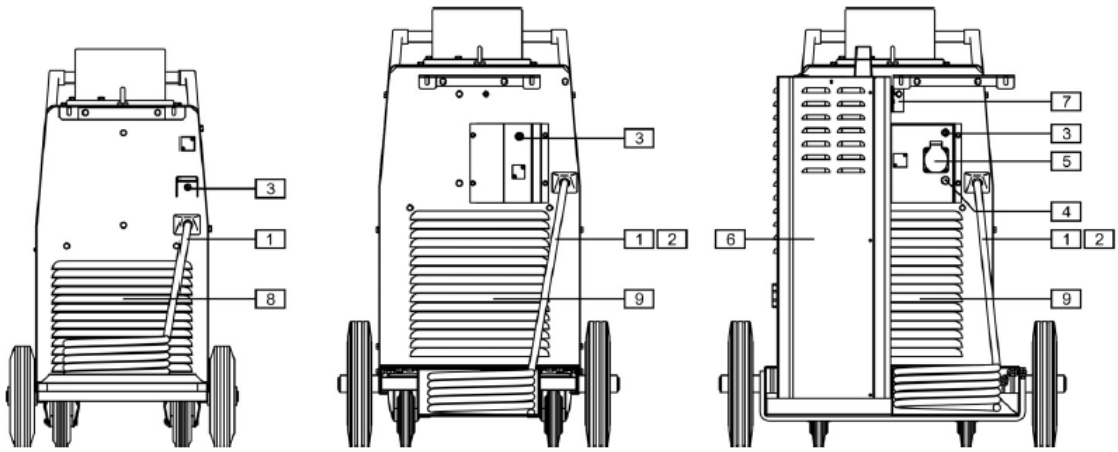


Figure C