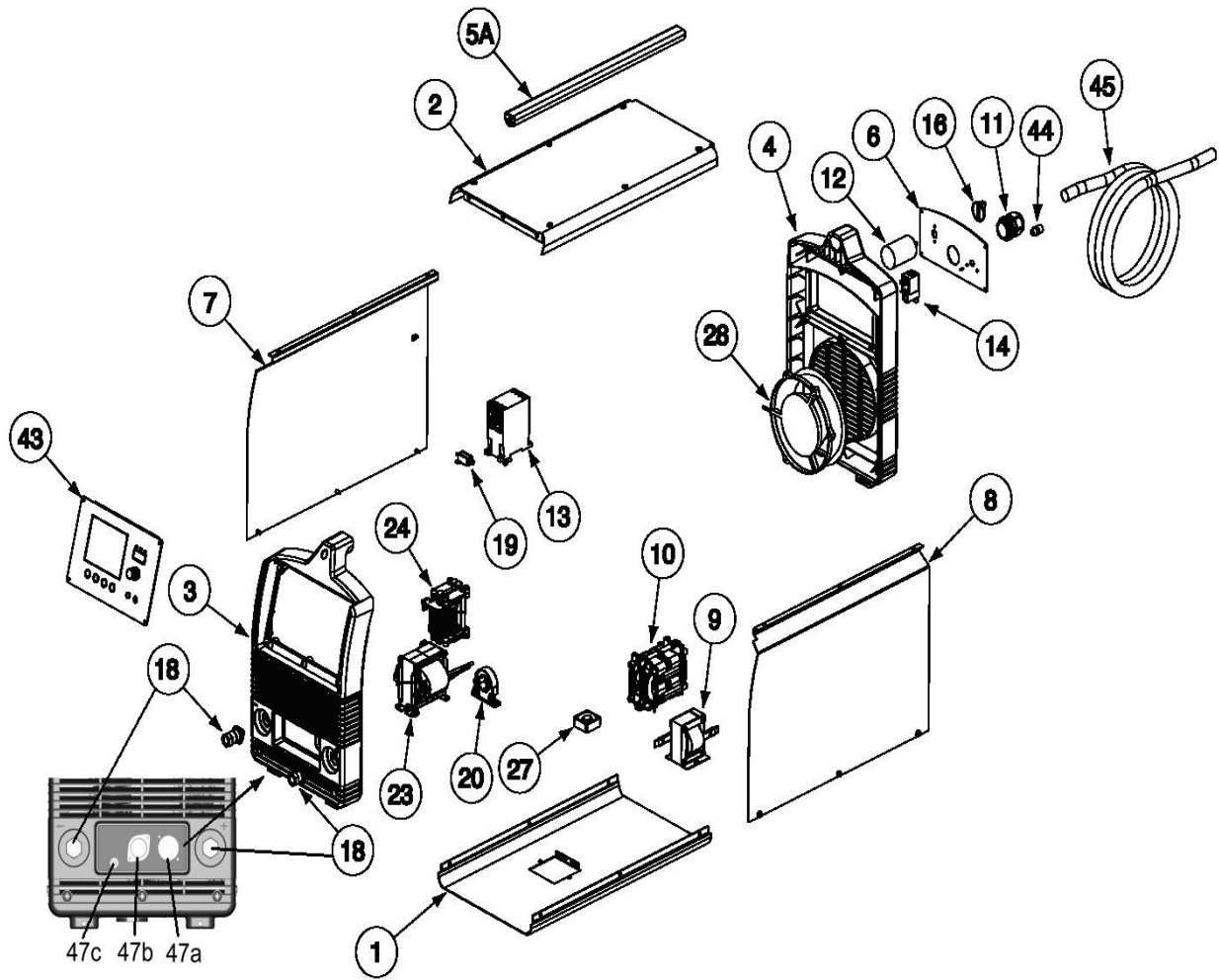


## CODE 11431

ASSEMBLY PAGE NAME		General Assembly	Base Assembly	Miscellaneous items	
CODE NO.:	FIGURE NO.:	A	B		
11431	V310-T AC/DC CE	1	1	1	

**Figure A: General Assembly**

Item	Description	Part Number	QTY	1	2
1	Base	S26935-1	1	X	
2	Top Cover	S26935-2	1	X	
3	Case Front	S26935-3	1	X	
4	Case Back	S26935-4	1	X	
5A	Handle	S26935-5	1	X	
	Screw (Not Shown)	S26935-54	2	X	
6	Rear Nameplate	S26935-6	1	X	
7	Left Cover & Decal	S26935-7	1	X	
8	Right Cover & Decal	S26935-8	1	X	
9	Output Choke	S26935-9	1	X	
10	Input Choke	S26935-10	1	X	
11	Cable Clamp	S26935-11	1	X	
12	Switch	S26935-12	1	X	
13	Contactor	S26935-13	1	X	
14	Solenoid Valve	S26935-14	1	X	
16	Knob	S25310-13	1	X	
18	Twist Mate Connector	S26935-18	2	X	
19	Output Resistor, 470 Ohm, 25 Watt	S26935-19	1	X	
20	Hall Effect Current Sensor	S26935-20	1	X	
23	Transformer	S26935-23	1	X	
24	H.F. Transformer	S26935-24	1	X	
27	Inverter & PFC Cooling Fan	S26935-27	1	X	
28	Fan	S26935-28	1	X	
43	Control Panel (Display & Control)	S26935-43	1	X	
45	Input Cord	S52071-19	1	X	
47a	Remote Control Connector	S26935-47	1	X	
47b	Remote Trigger Connector	S25310-34	1	X	
47c	Quick Gas Connector	S25310-36	1	X	



**Figure B: Base Assembly**

Item	Description	Part Number	QTY	1	2
15	Thermostat, Output Rectifier	S26935-15	1	X	
21	Output Boost Circuit Diode	S26930-51	1	X	
22	Output Rectifier Diode	S26935-22	6	X	
25	Thermostat & NTC Probe, Inverter & PFC	S26935-25	1	X	
26	Input Rectifier Bridge	S26935-26	1	X	
29	Digital Processor P.C. Board	S26935-29	1	X	
30	Analog Signal P.C. Board	S26935-30	1	X	
31	Bus P.C. Board	S26935-31	1	X	
32	H.F. P.C. Board	S26935-32	1	X	
33	Output Module Driver P.C. Board	S26935-33	1	X	
34	AC Superimposition & Boost Circuit P.C. Board	S26935-34	1	X	
35	Cooler Auxiliary Power Supply P.C. Board	S26935-35	1	X	
36	Output Filter P.C. Board	S26935-36	1	X	
37	A/D Remote Control Conversion P.C. Board	S26935-37	1	X	
38	Fan EMC Filter P.C. Board	S26935-38	1	X	
39	Auxiliary Power Supply P.C. Board	S26935-39	1	X	
40	Output Module	S26935-40	1	X	
41	Inverter & PFC P.C. Board, Module & Diode Kit	S26935-41	1	X	
42	Input P.C. Board	S26935-42	1	X	
46	NTC Probe, Output Rectifier	S26935-46	1	X	

**Miscellaneous Items (not showed in figure A or B)**

Item	Description	Part Number	QTY	1	2
	Cooler Connector Door (Metal)	S26935-53	1	X	
	Cooler Connector Pass Through Gasket	S25310-32	1	X	

